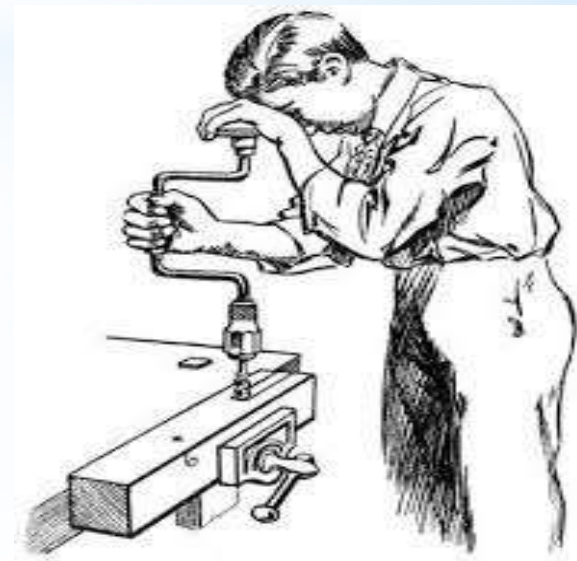


# \* CARPENTRY JOINTS



V.B.SUJATHA . A.T.O.





# \*CARPENTRY JOINTS

The Timber which is to be used for the structural purpose(such as Doors, Windows, Frames, Trusses etc.)is to be dressed plained framed and placed in Position

## TECHNICAL TERMS IN CARPENTRY

1. Sawing
2. Shooting
3. Chamfering
4. Planing
5. Mitring and scribing
6. Moulding
7. Rebating
8. Housing
9. Groove and Grooving
10. Nosing
11. Studding
12. Veneering
13. Bead

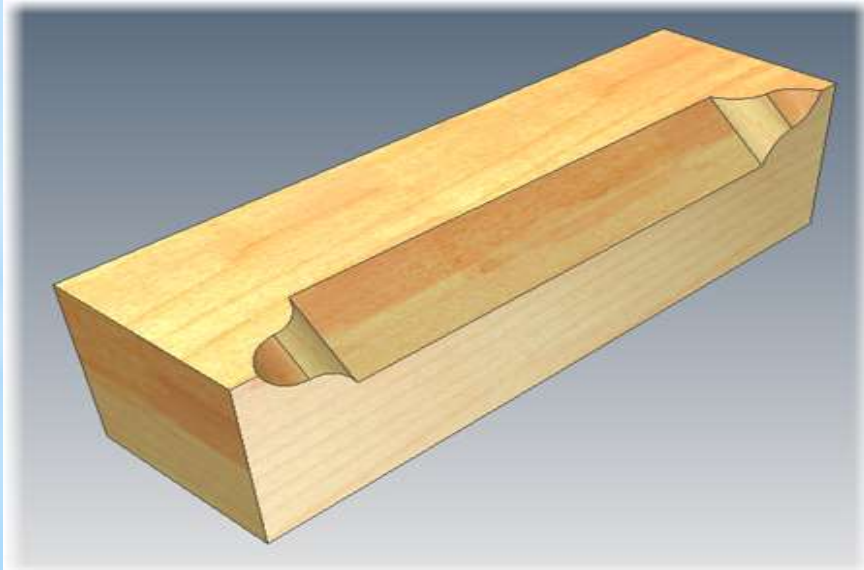




**SAWING**



**SHOOTING**

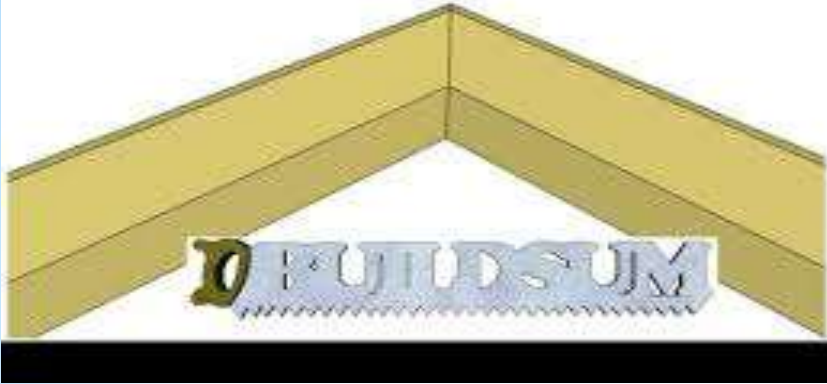


**CHAMFEFRING**



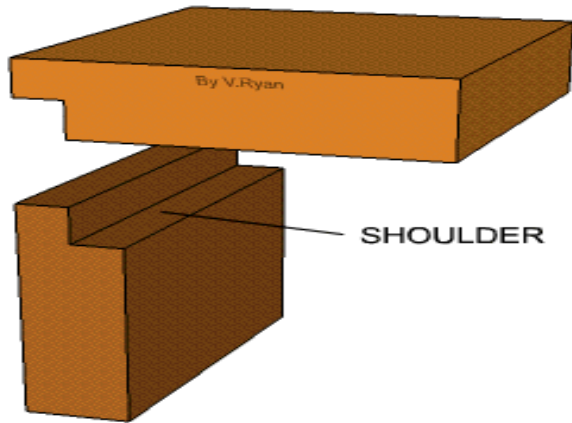
**PLANING**

Scribe or Mitre



MITRING AND SCRIBING

MOULDING



REBATING



HOUSING JOINT

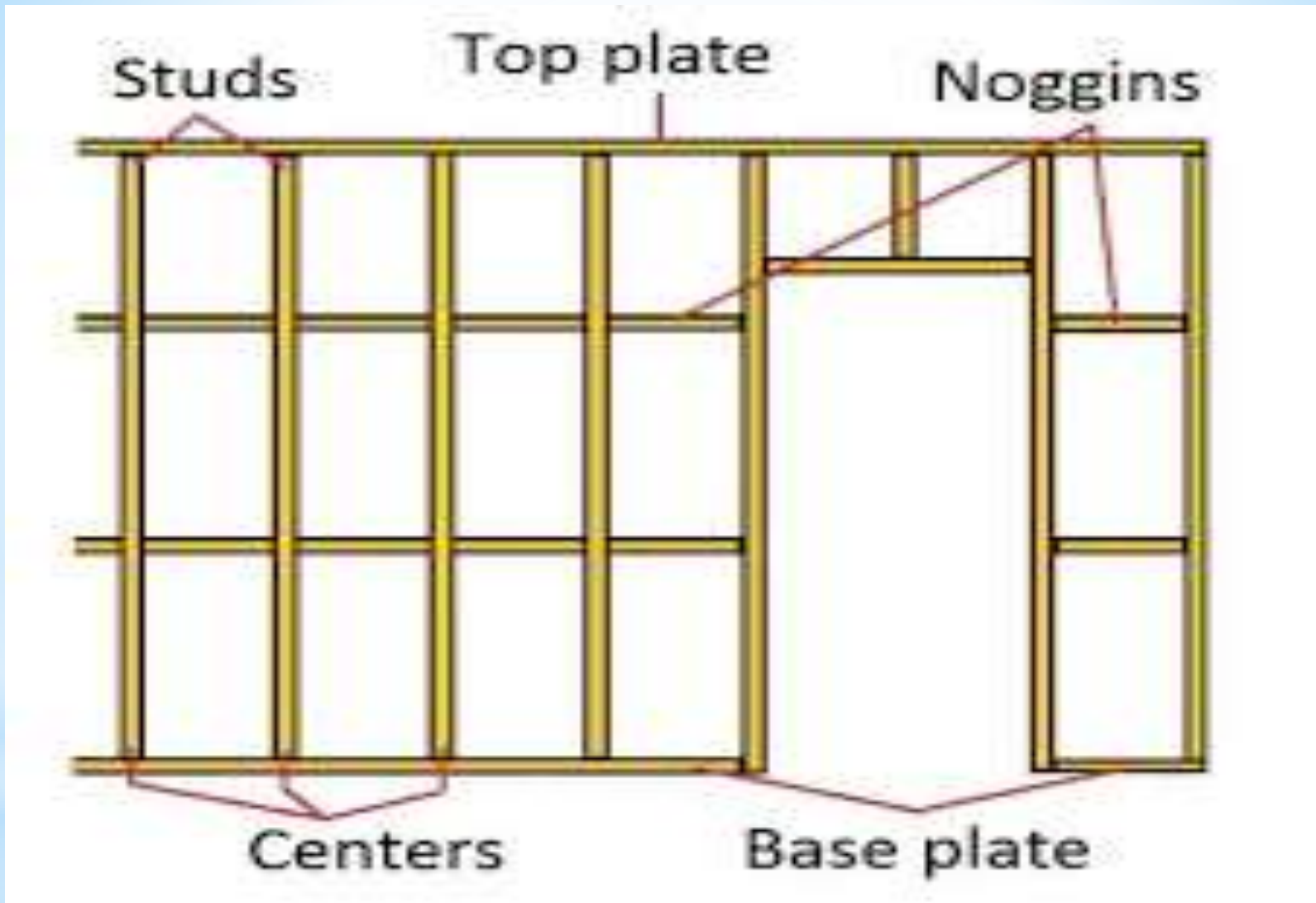


**GROOVE AND  
GROOVING**



**NOSING**



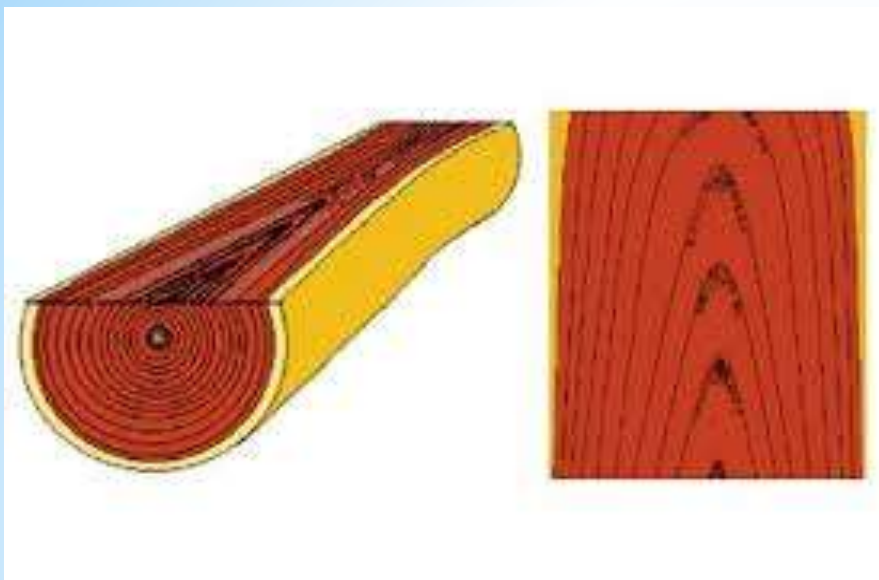


**STUDDING**





BEADING



# VENEERING

# FLUSH DOOR

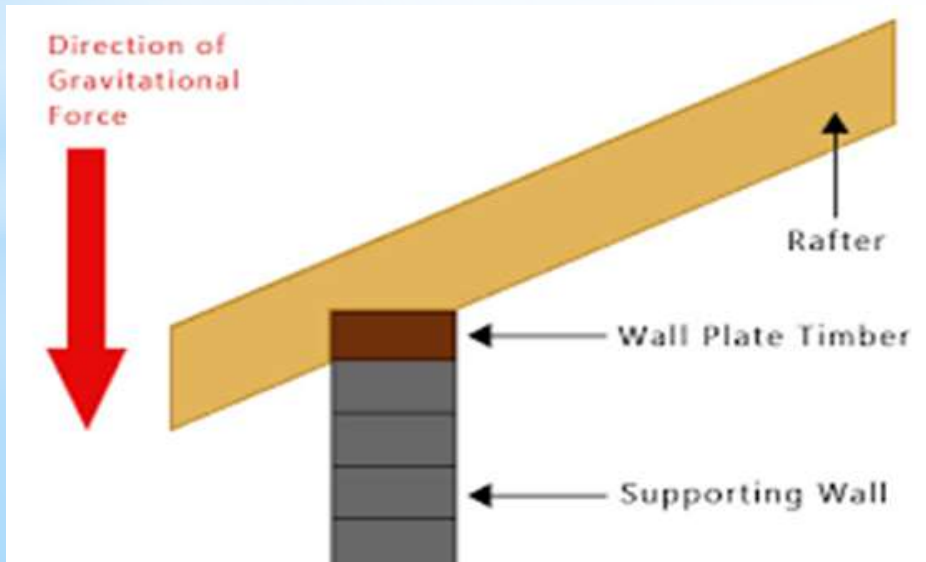
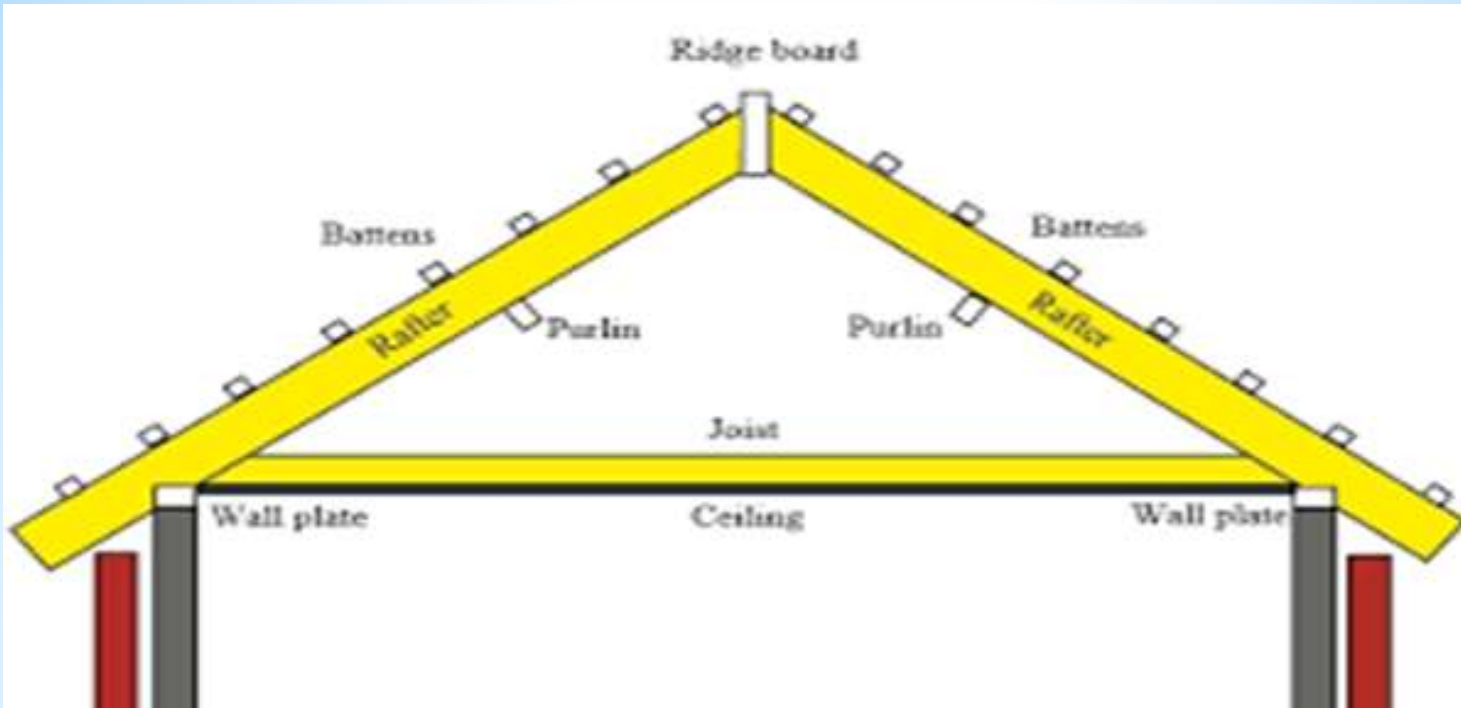
[Explanatory Video](#)



# CLASSIFICATION OF JOINTS

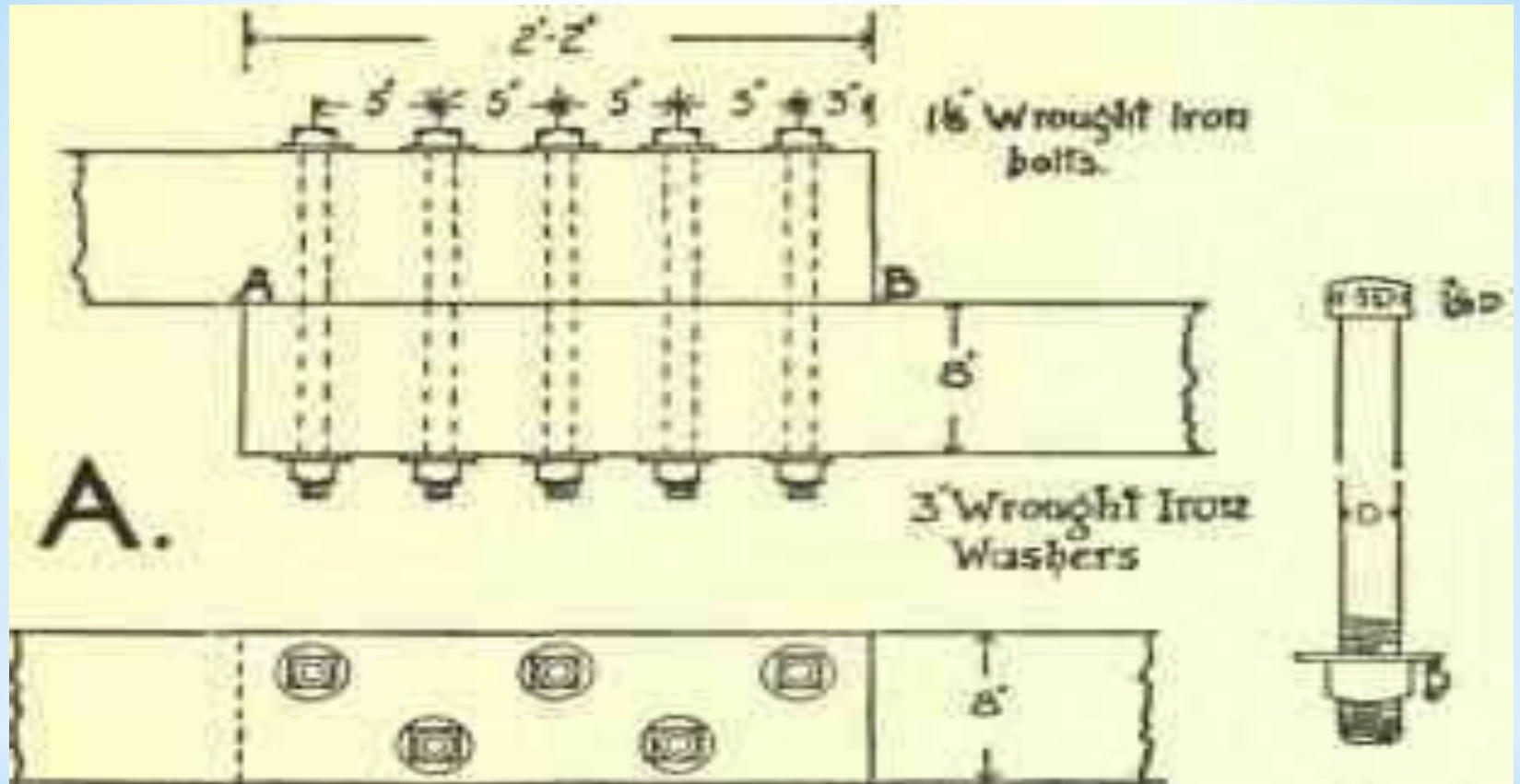
1. LENGTHENING JOINT
2. WIDENING JOINT
3. ANGLE JOINT
4. OBLIQUE-SHOULDERED JOINT
5. BEARING JOINT
6. FRAMED JOINT





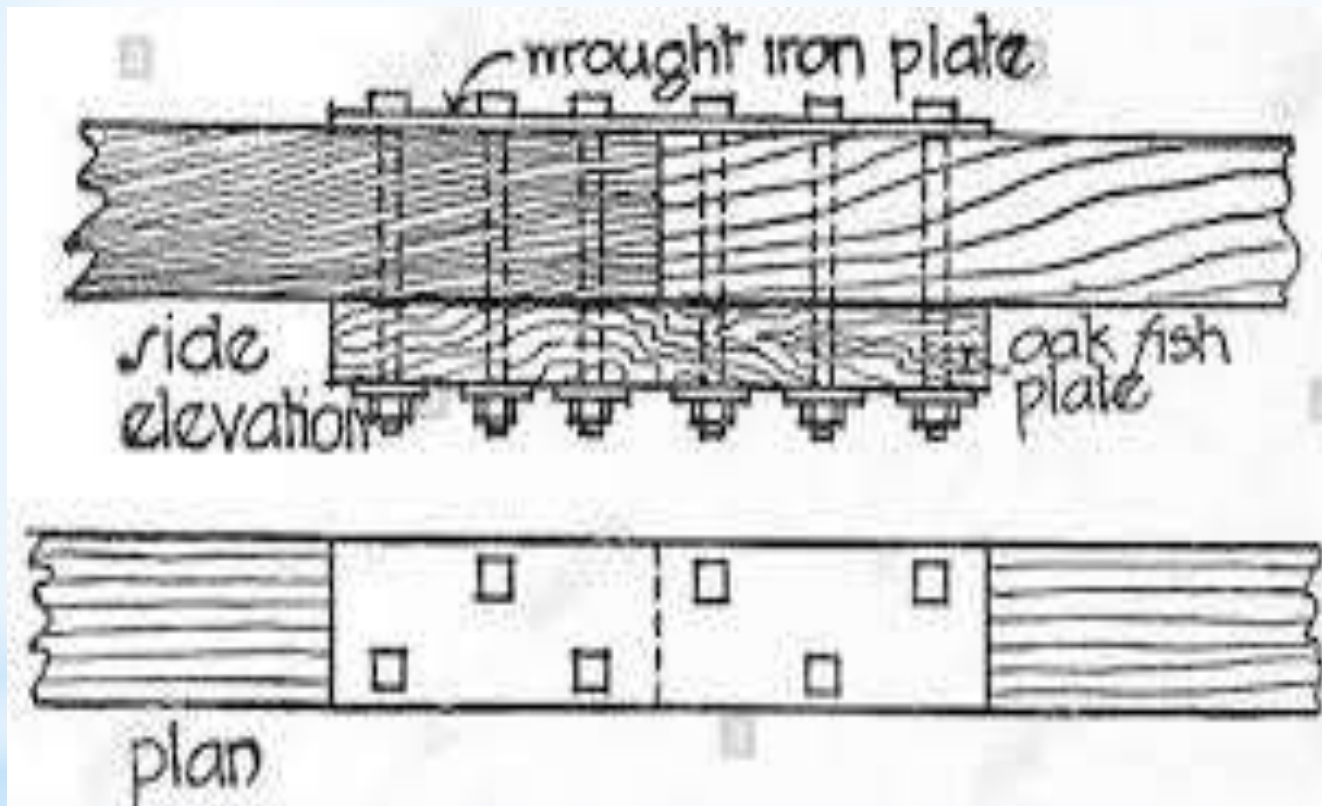
LENGTHENING JOINT

# LAPPED JOINT

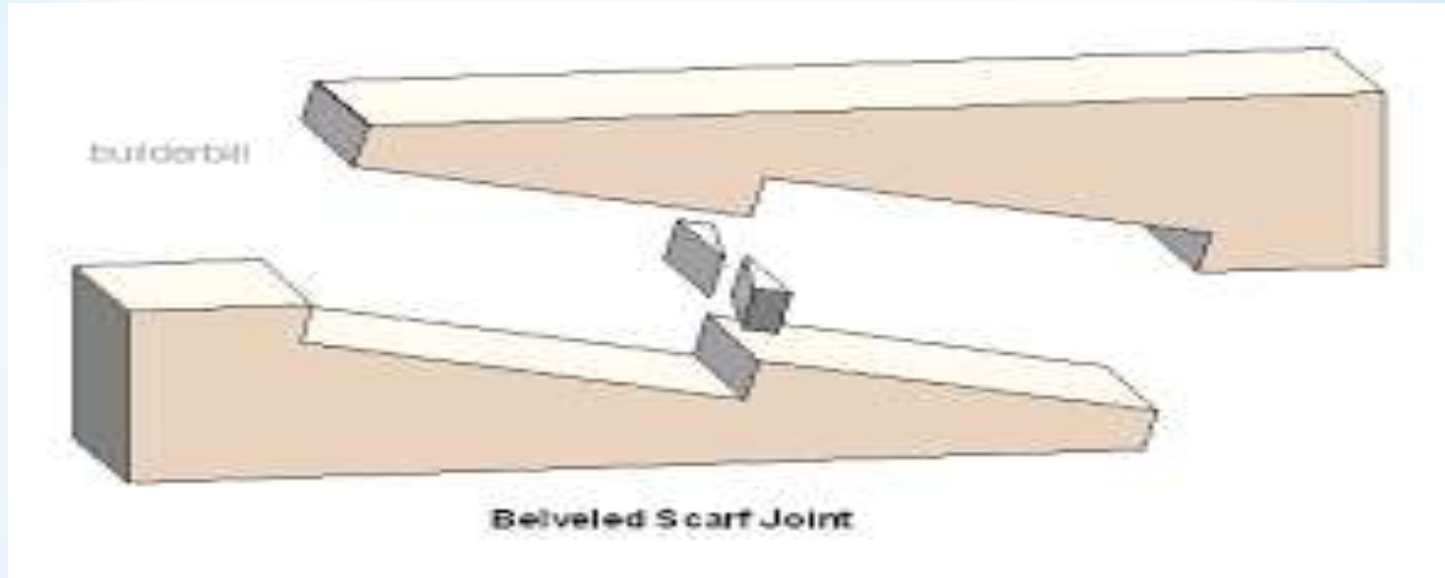


# LENGTHENING JOINT

# LENGTHENING JOINT FISHED JOINT

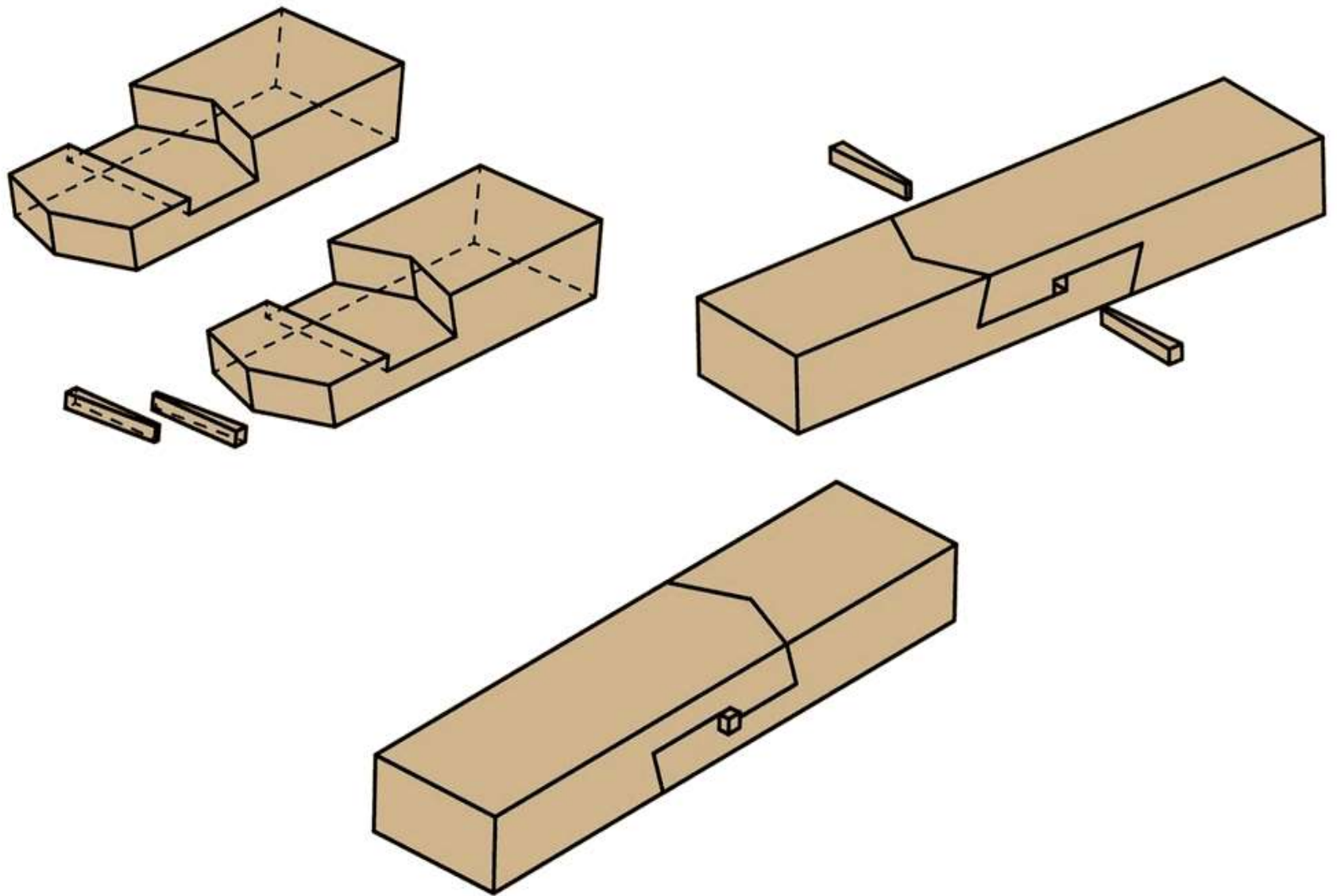


# LENGTHENING JOINT SCARFED JOINT

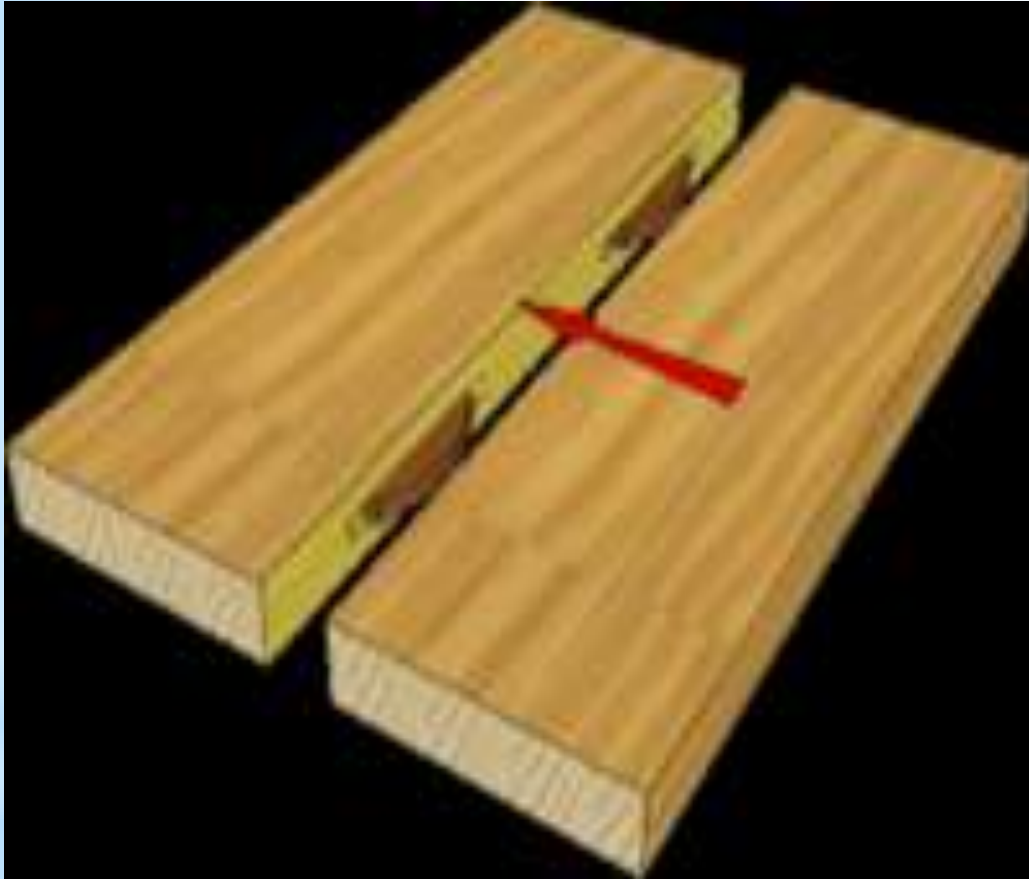


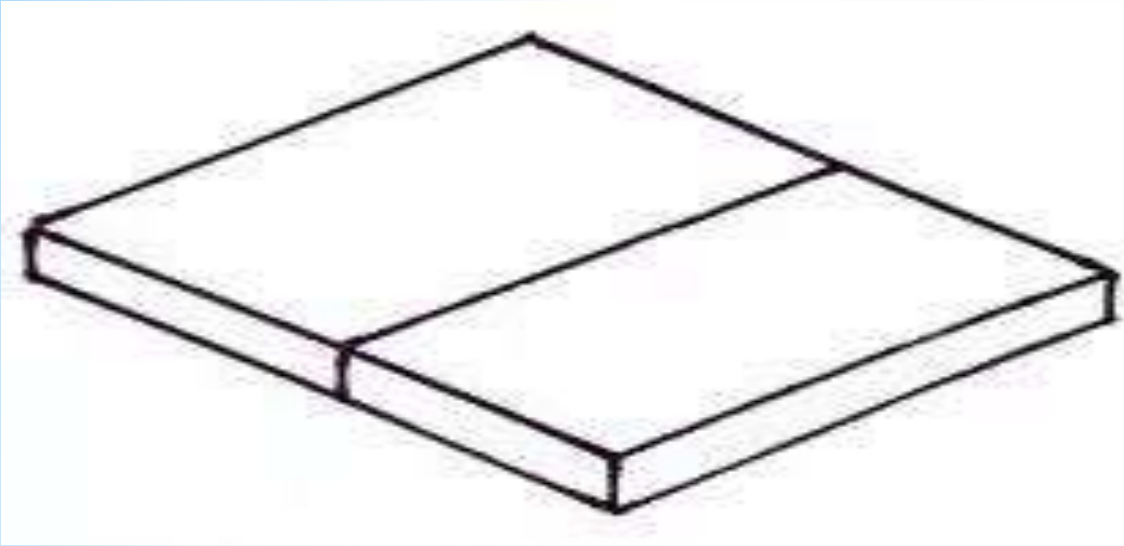


# LENGTHENING JOINT TABLED JOINT



# WIDENING JOINT

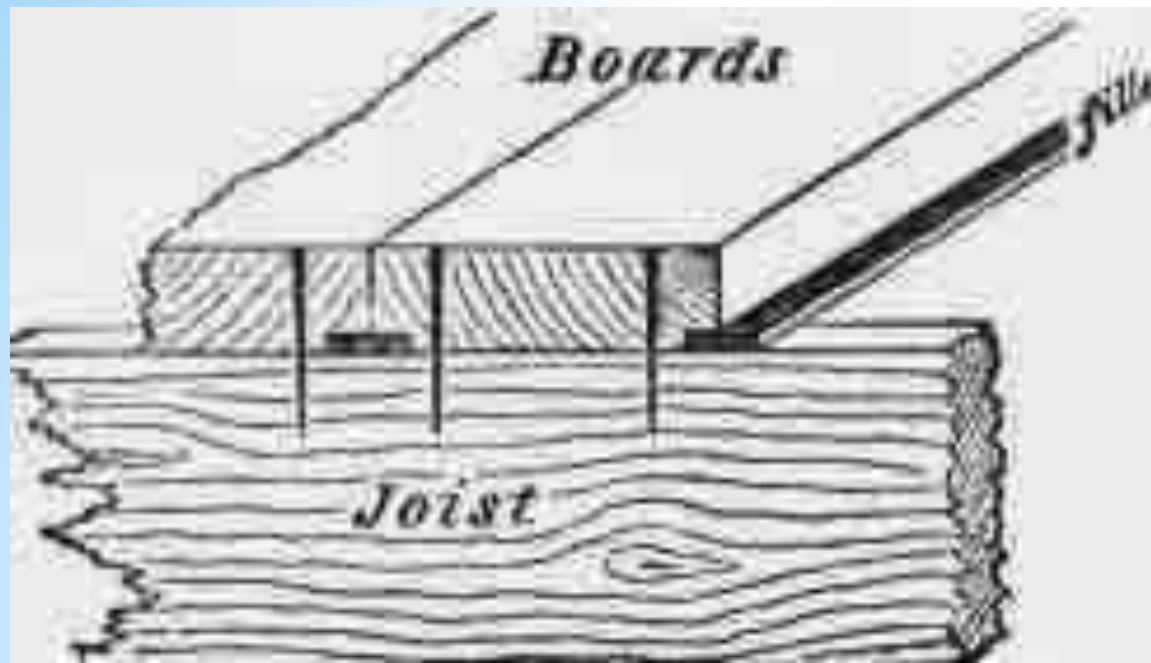




**BUTT JOINT**



**REBATED JOINT**



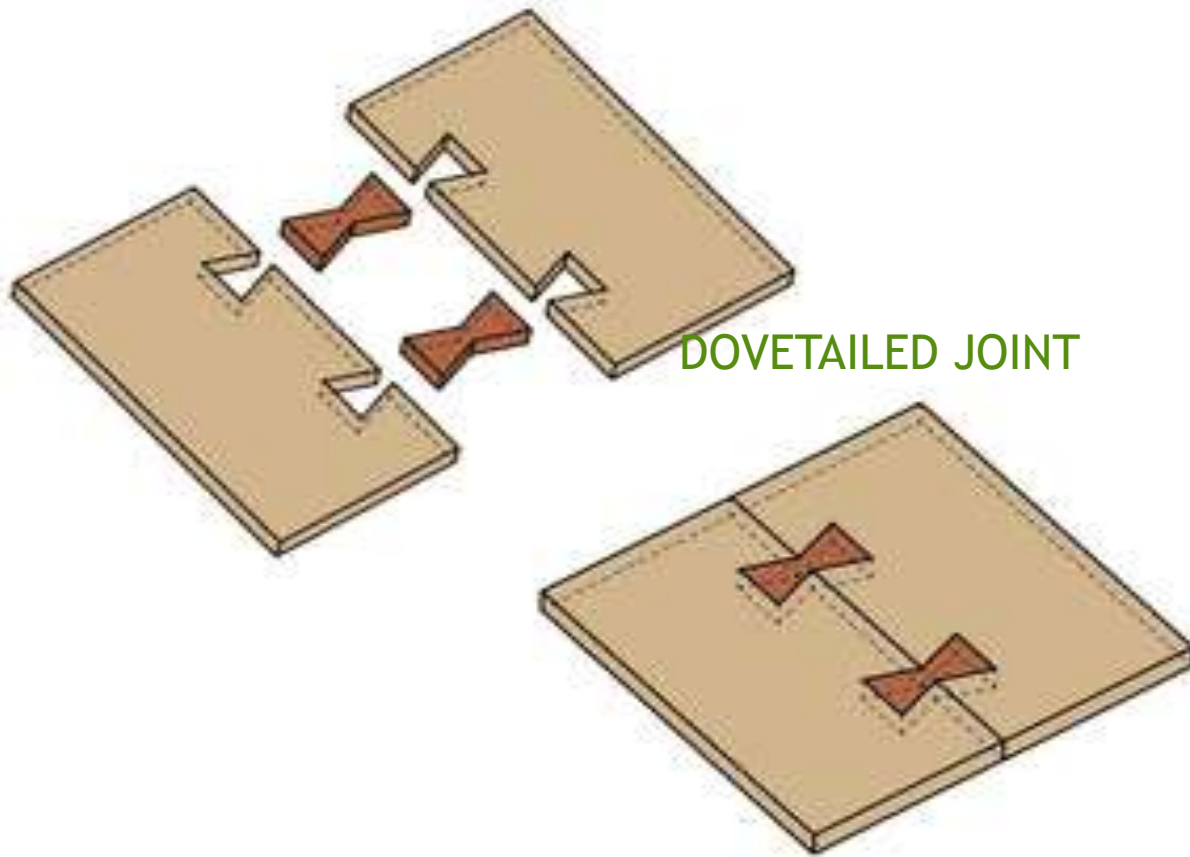
REBATED AND  
FILLETED JOINT



PLOUGHED AND  
TONGUED JOINT



# DOVETAILED JOINT



# TONGUED AND GROOVED JOINT

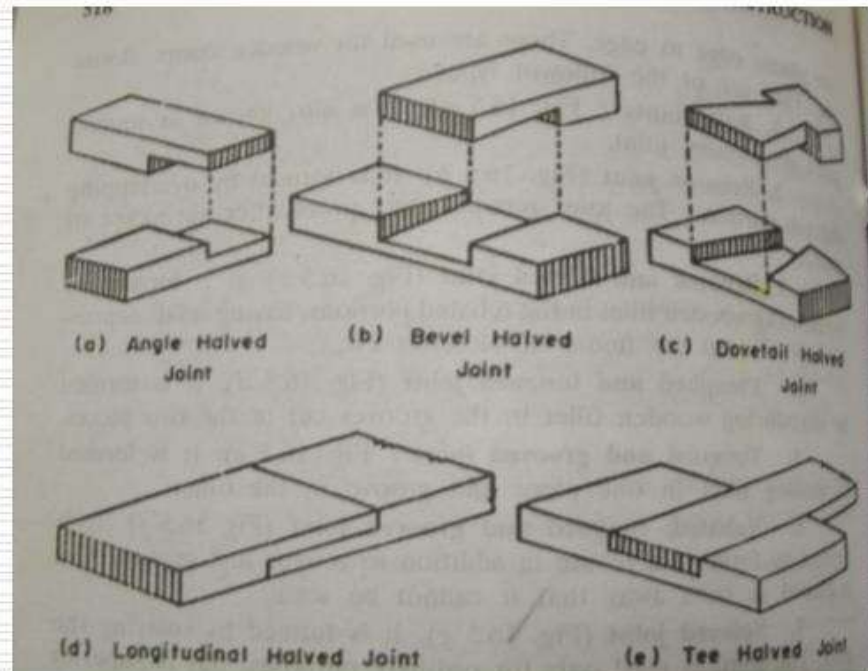


**BEARING JOINT** : BEARING JOINT ARE PROVIDED WHEN TWO MEMBERS MEET AT RIGHT ANGLE TO EACH OTHER.

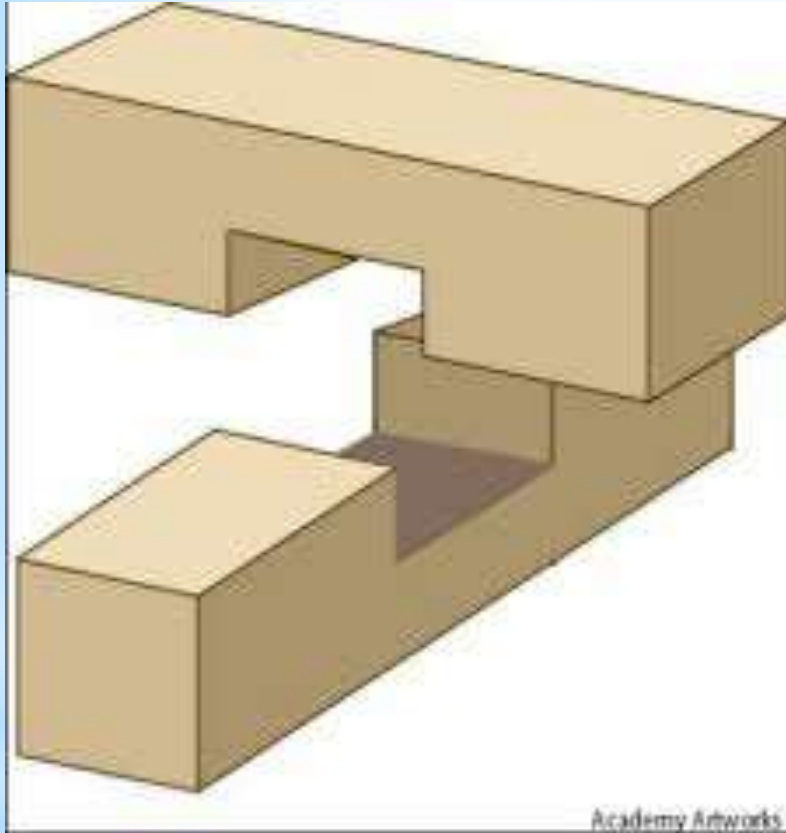
## BEARING JOINT

### □ HALVED JOINT

- Angle Halved
- Beveled Halved
- Dovetailed Halved
- Longitudinal Halved
- Tee Halved

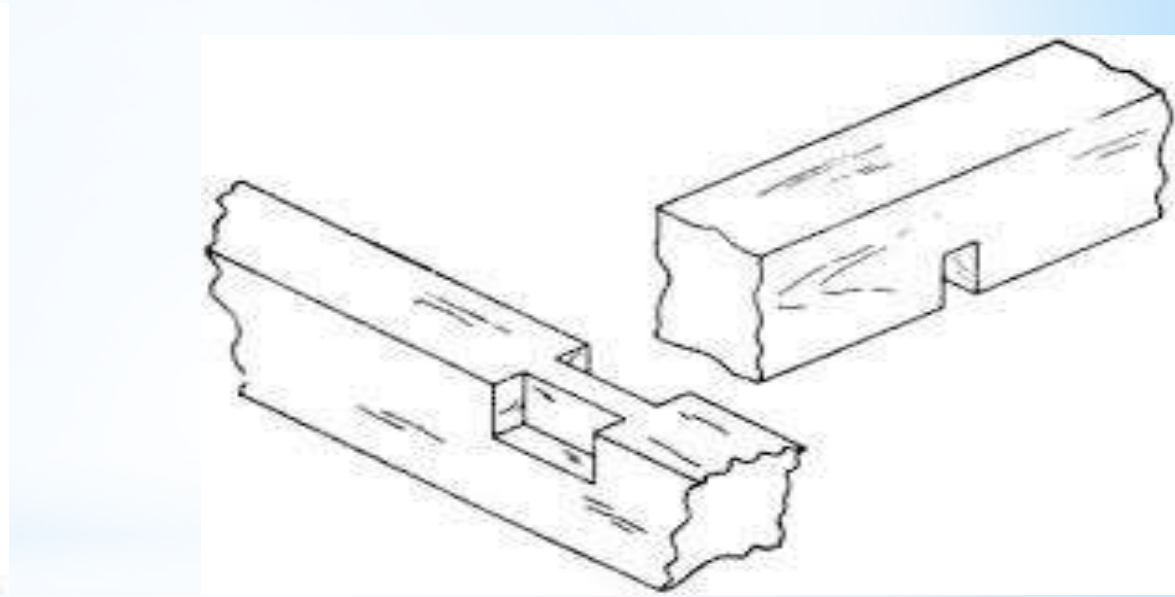
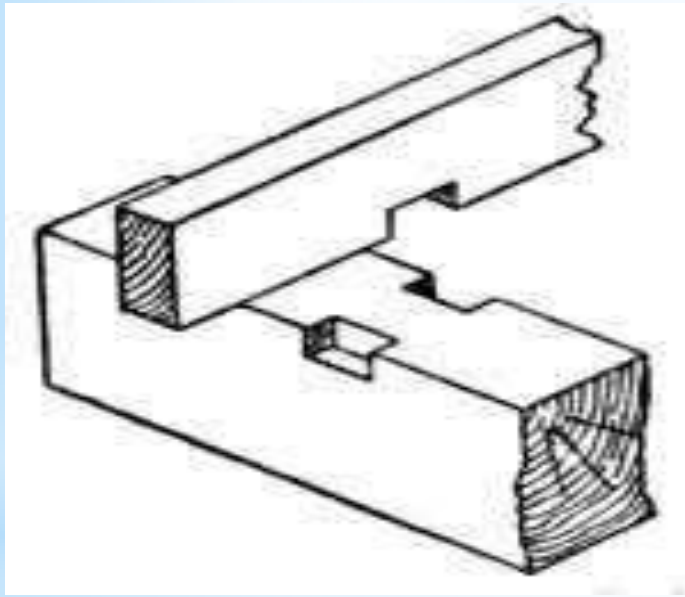


# NOTCHED JOINT

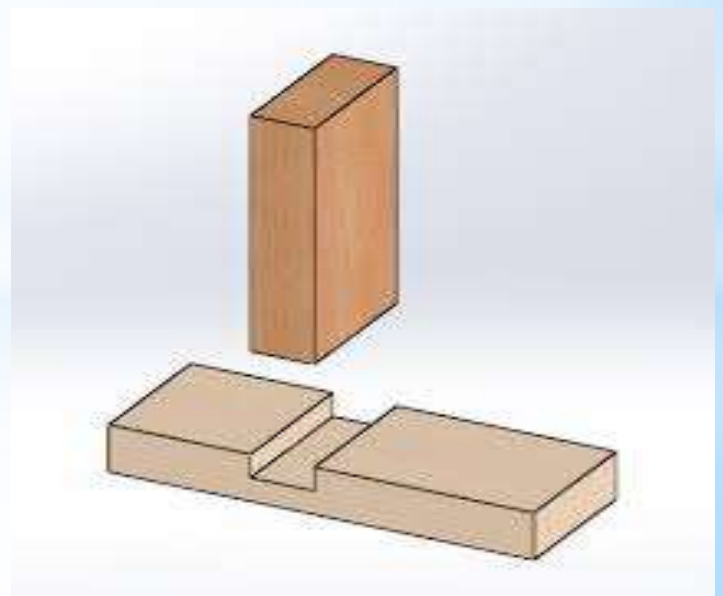
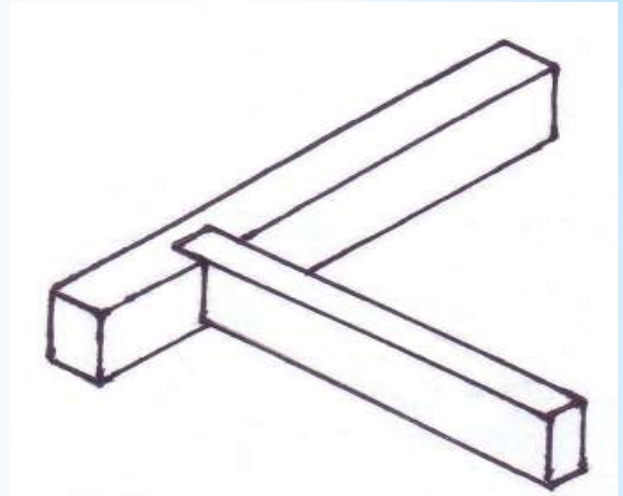
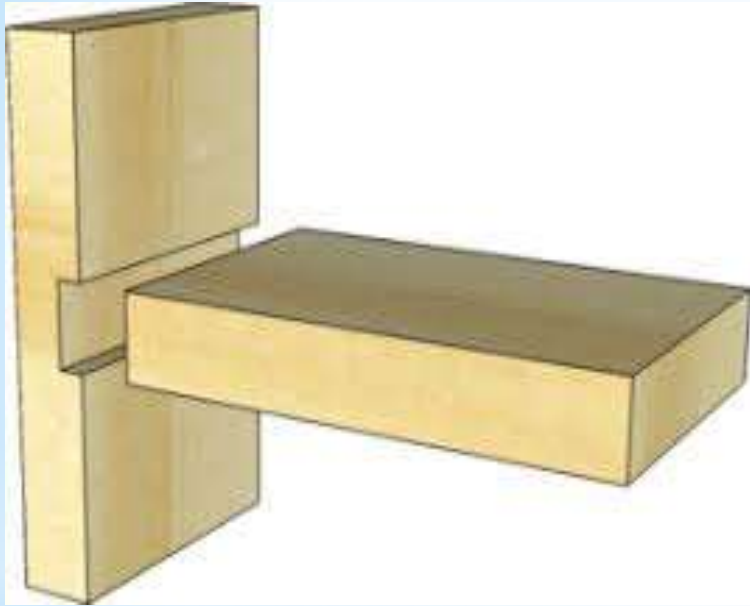




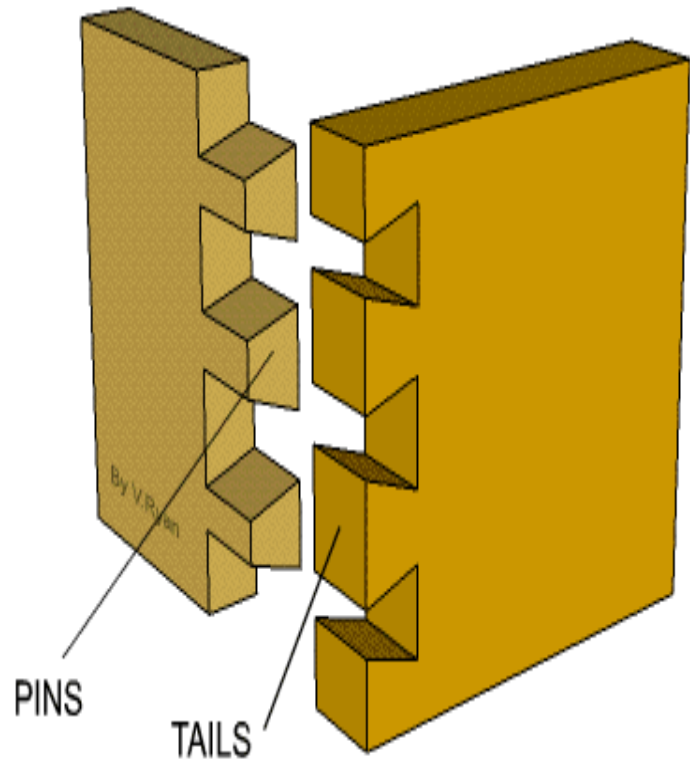
# COGGED JOINT



# HOUSING JOINT



# DOVETAILED JOINT

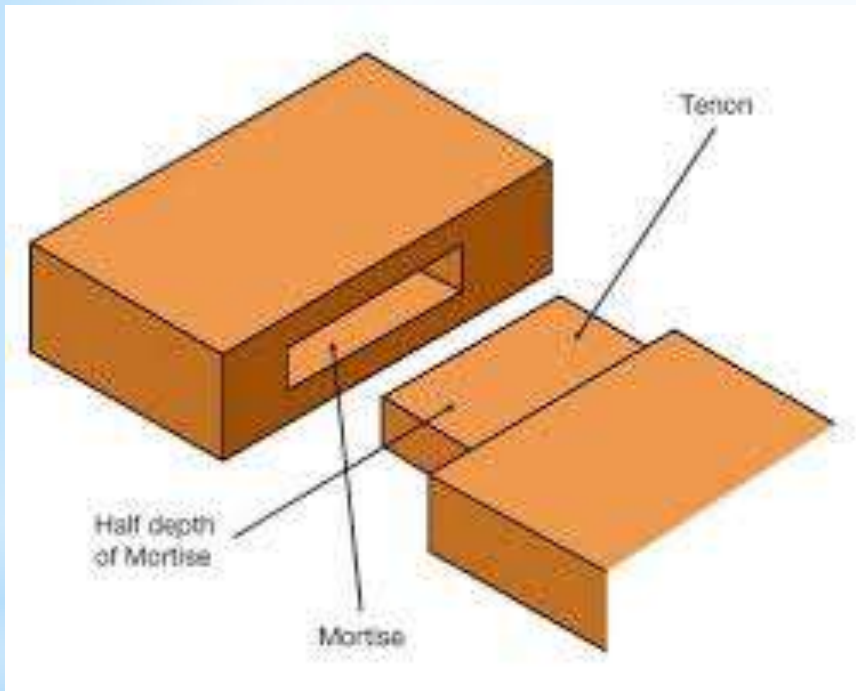


# PANELLED DOOR AND ITS FRAME

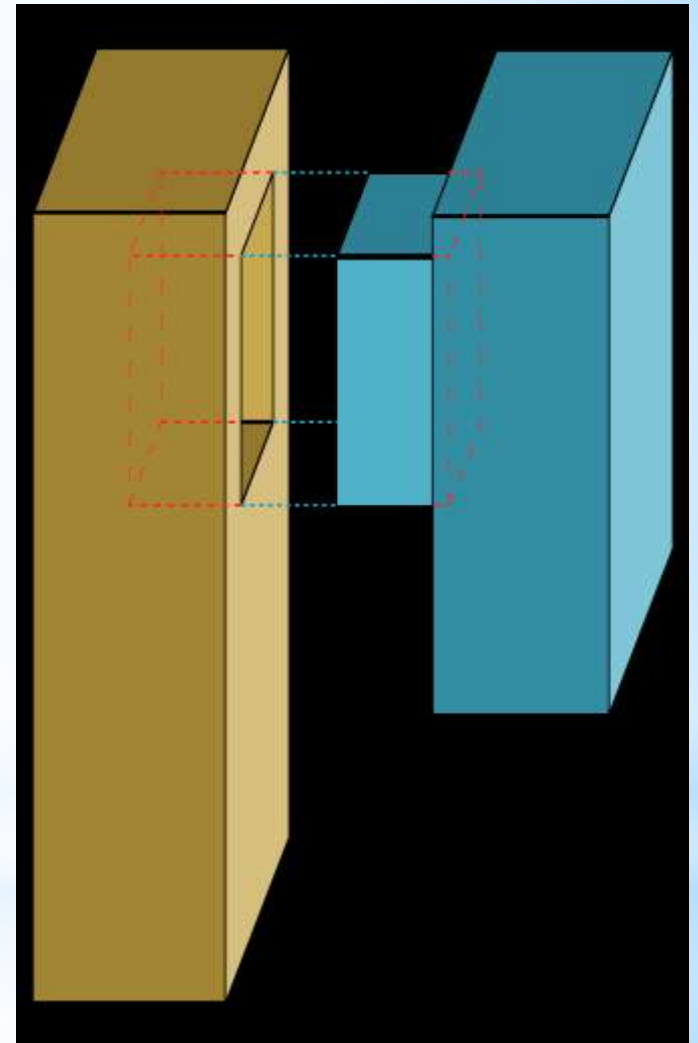




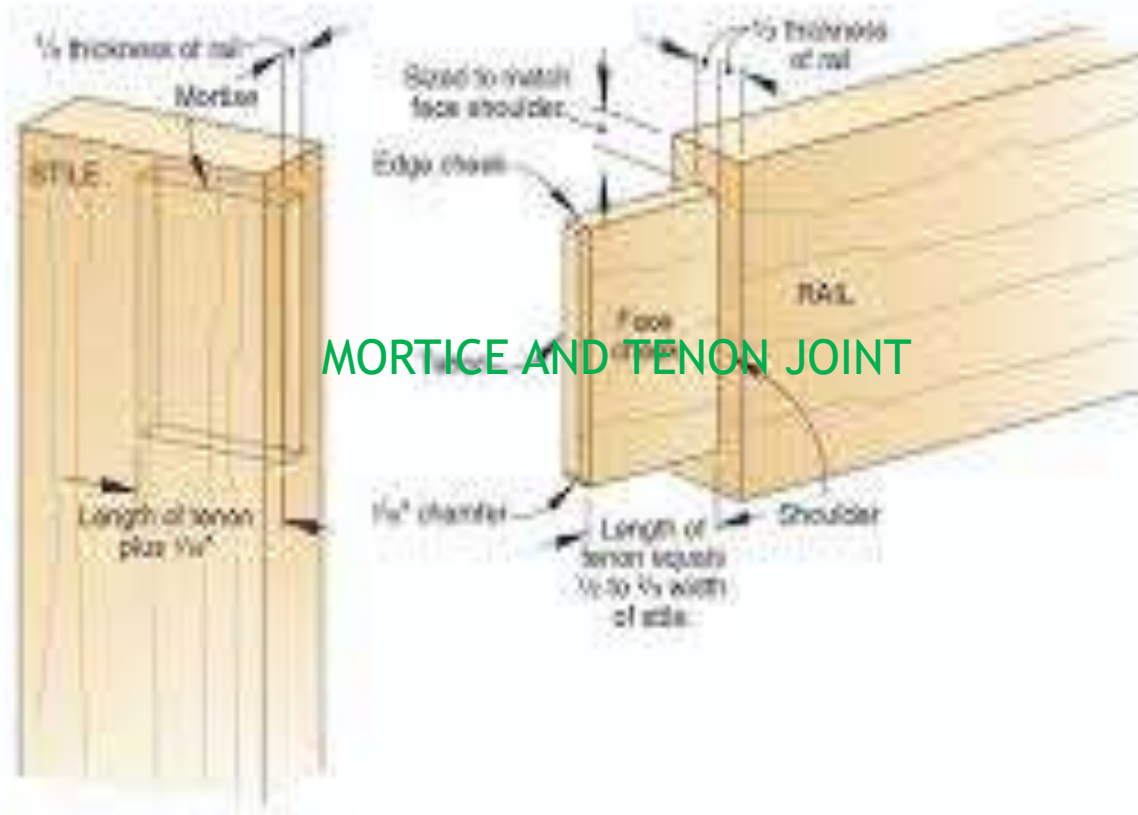
# MORTICE AND TENON JOINT



# MORTICE AND TENON JOINT

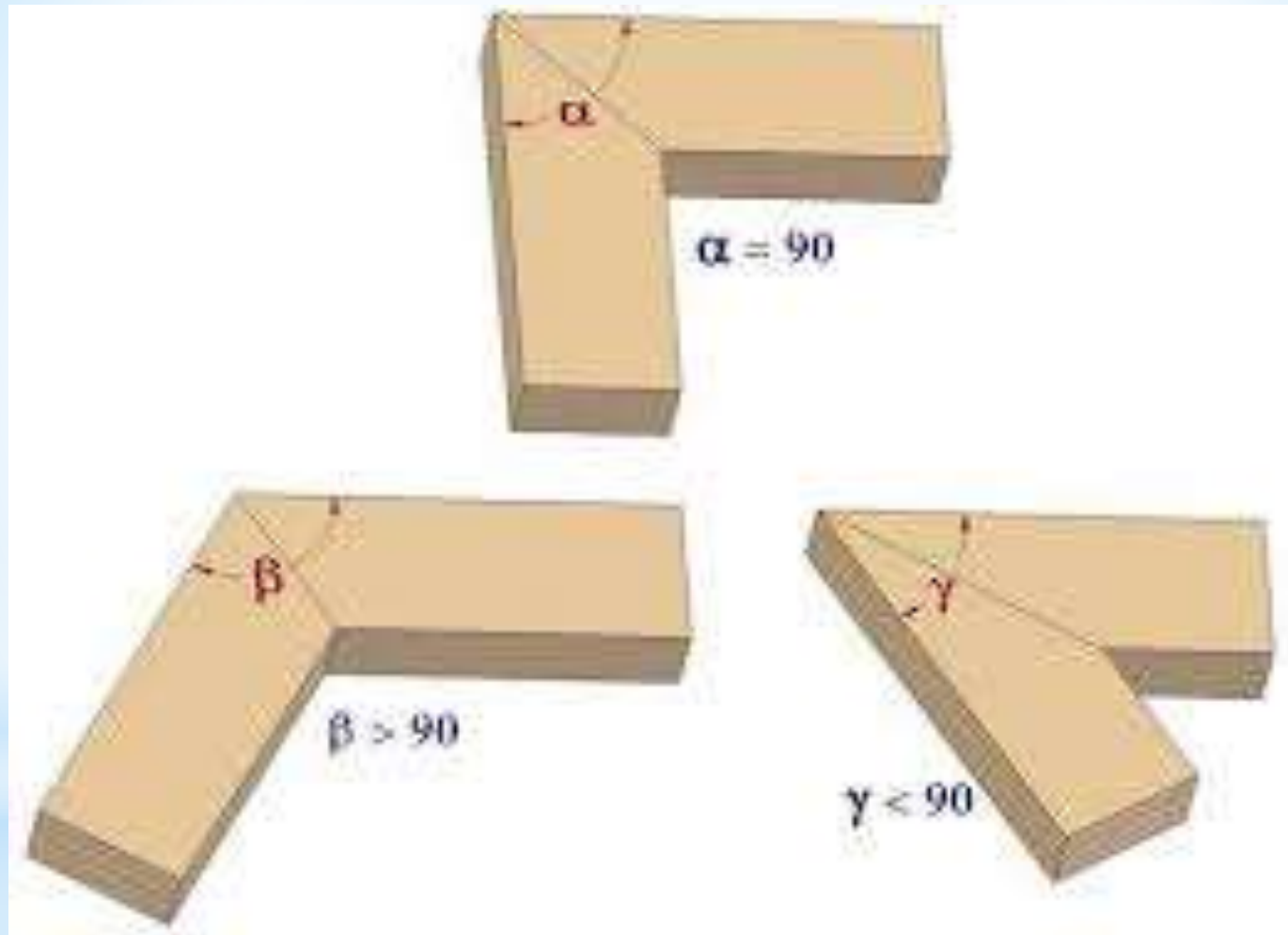


# MORTICE AND TENON JOINT



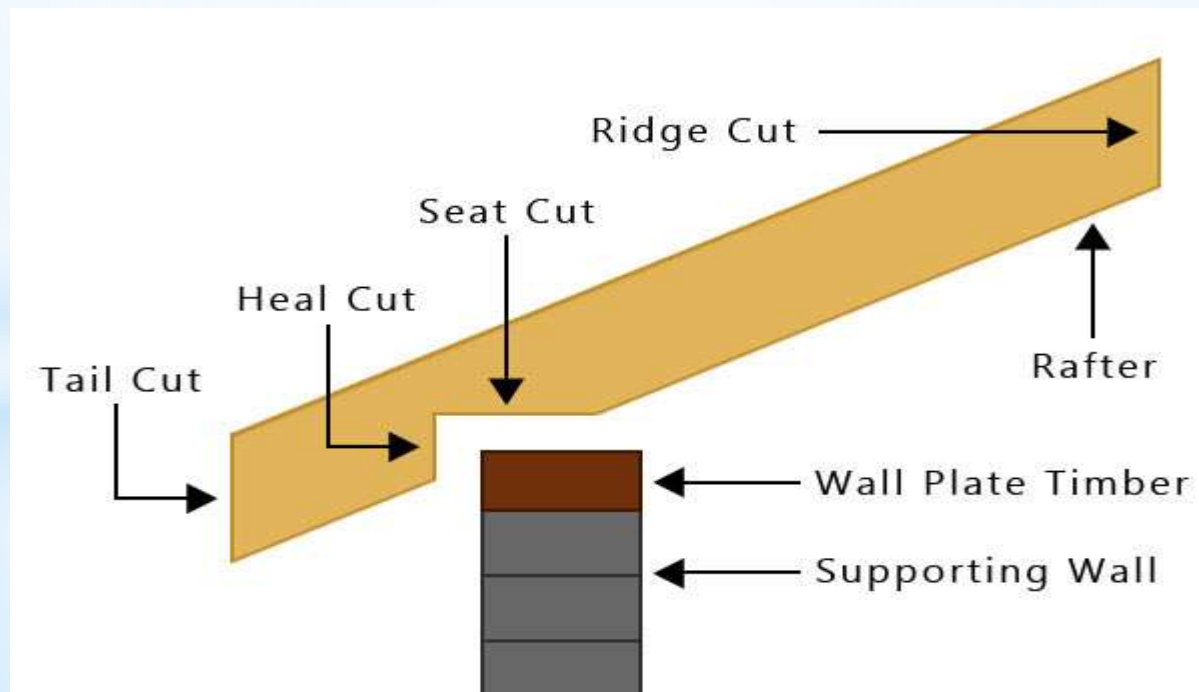
MORTICE AND TENON JOINT

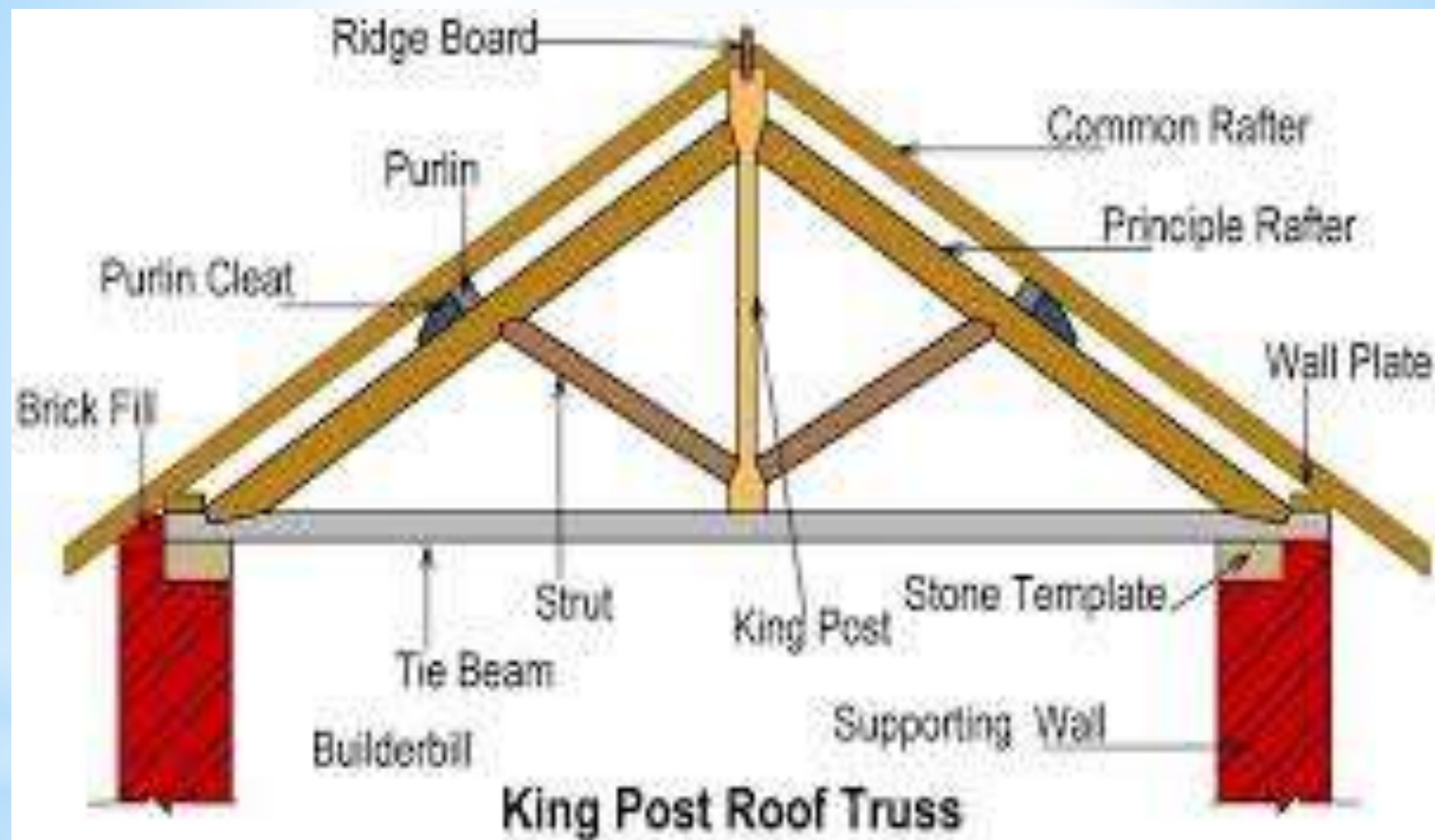
# ANGLE JOINT



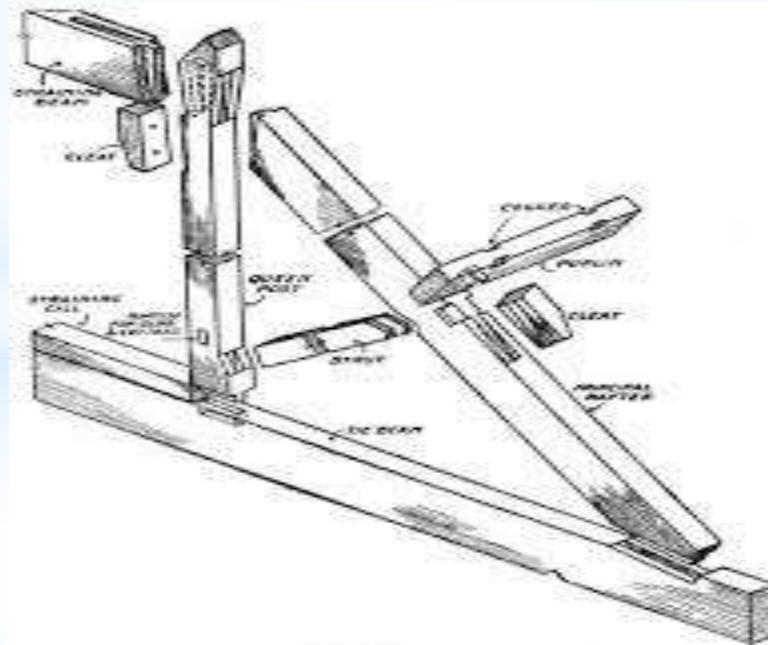
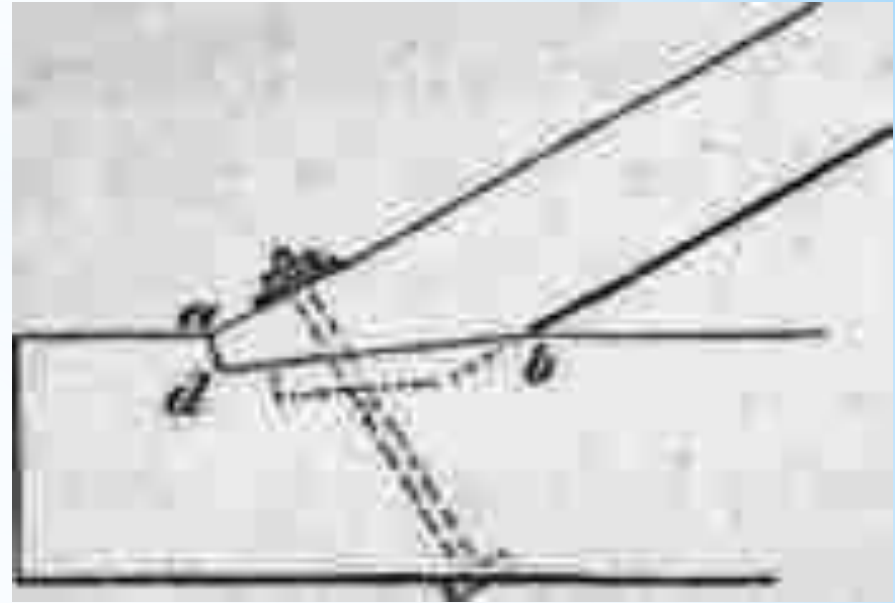
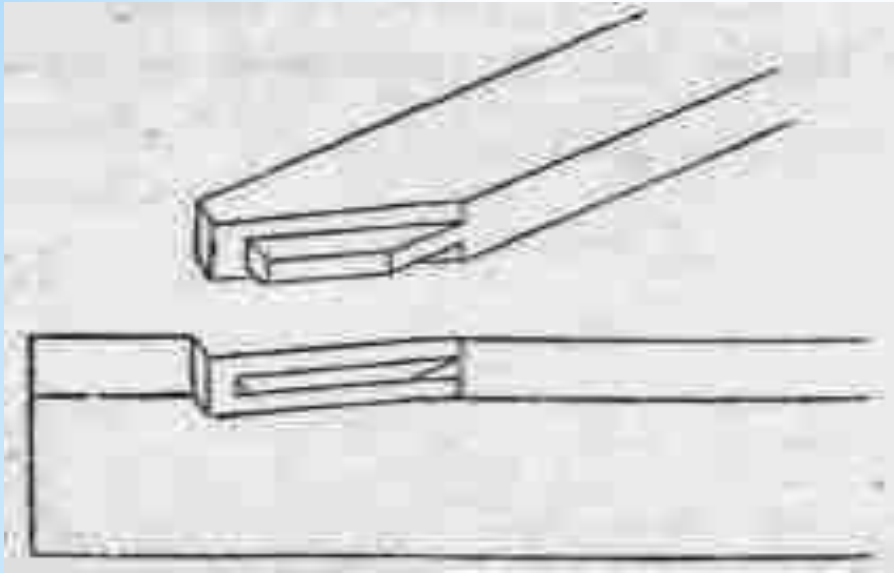


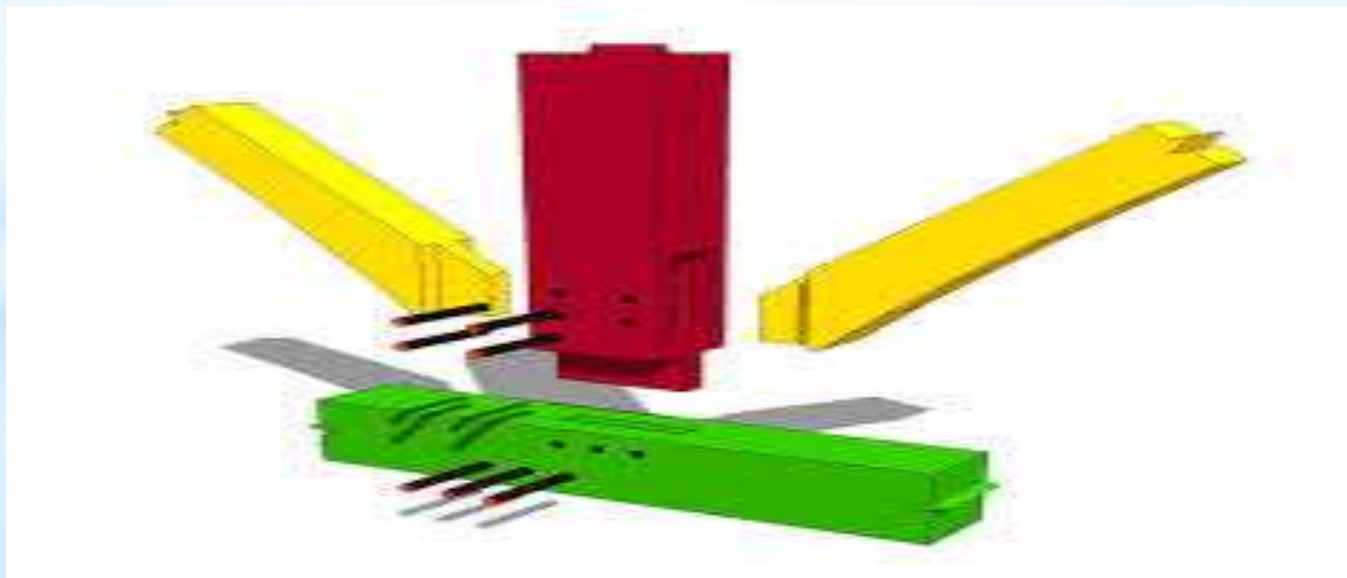
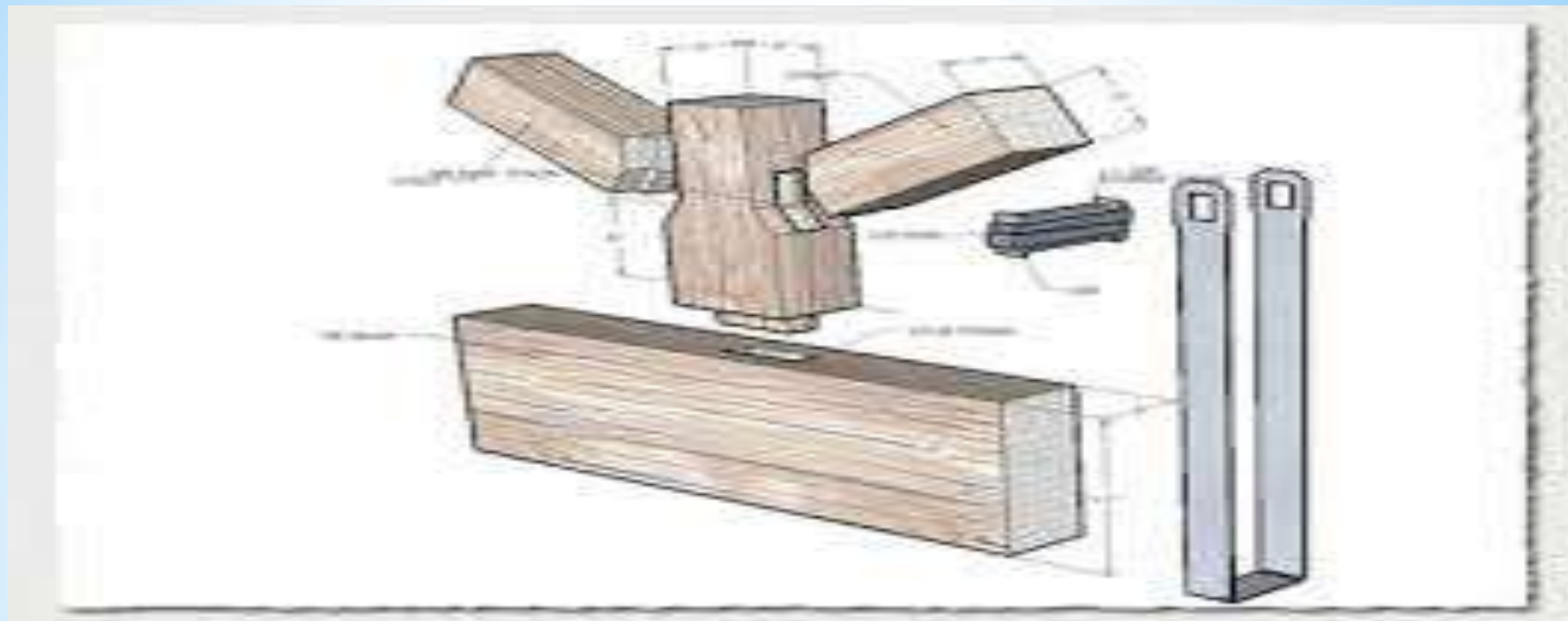
# BIRDS MOUTH JOINT





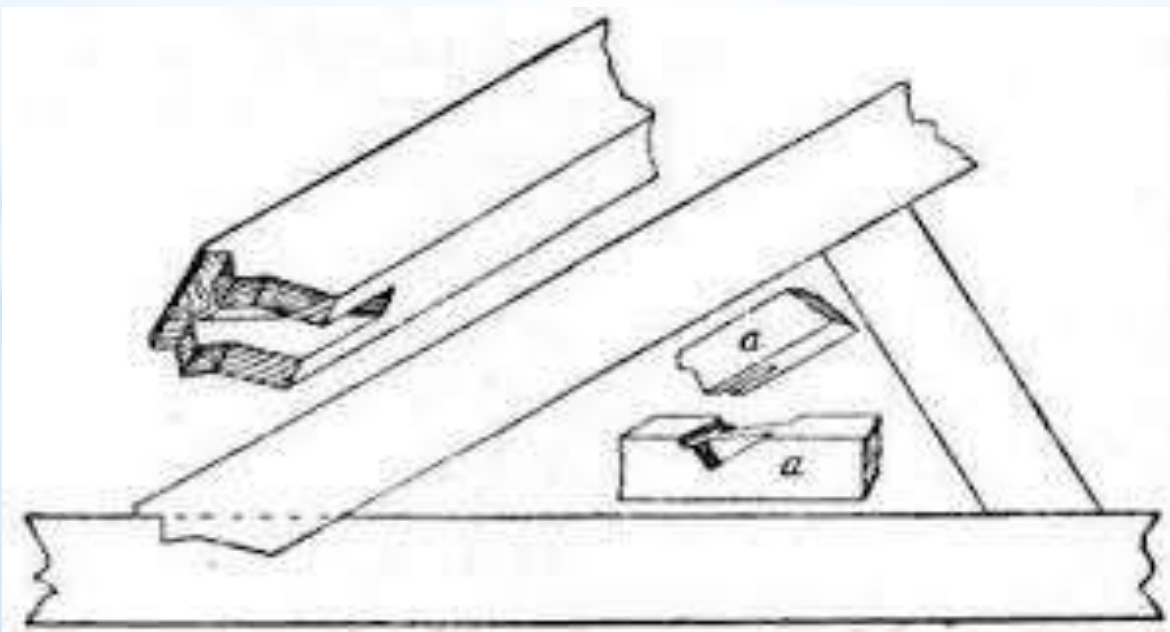
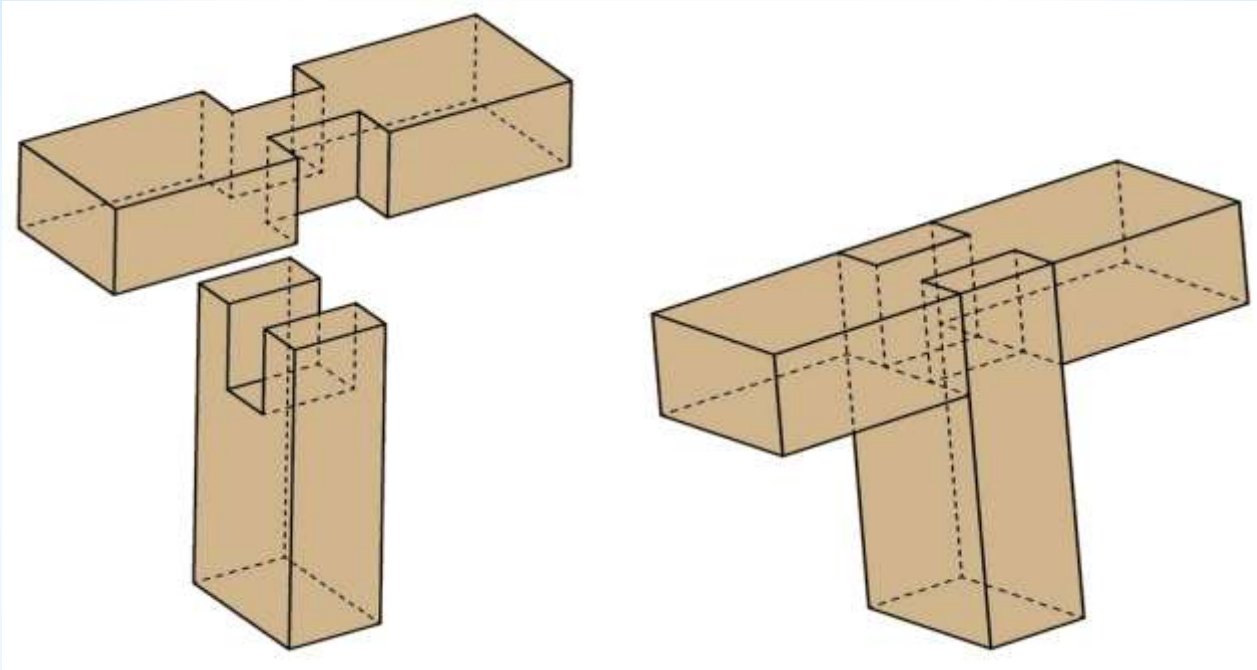
# OBLIQUE-TENON JOINT

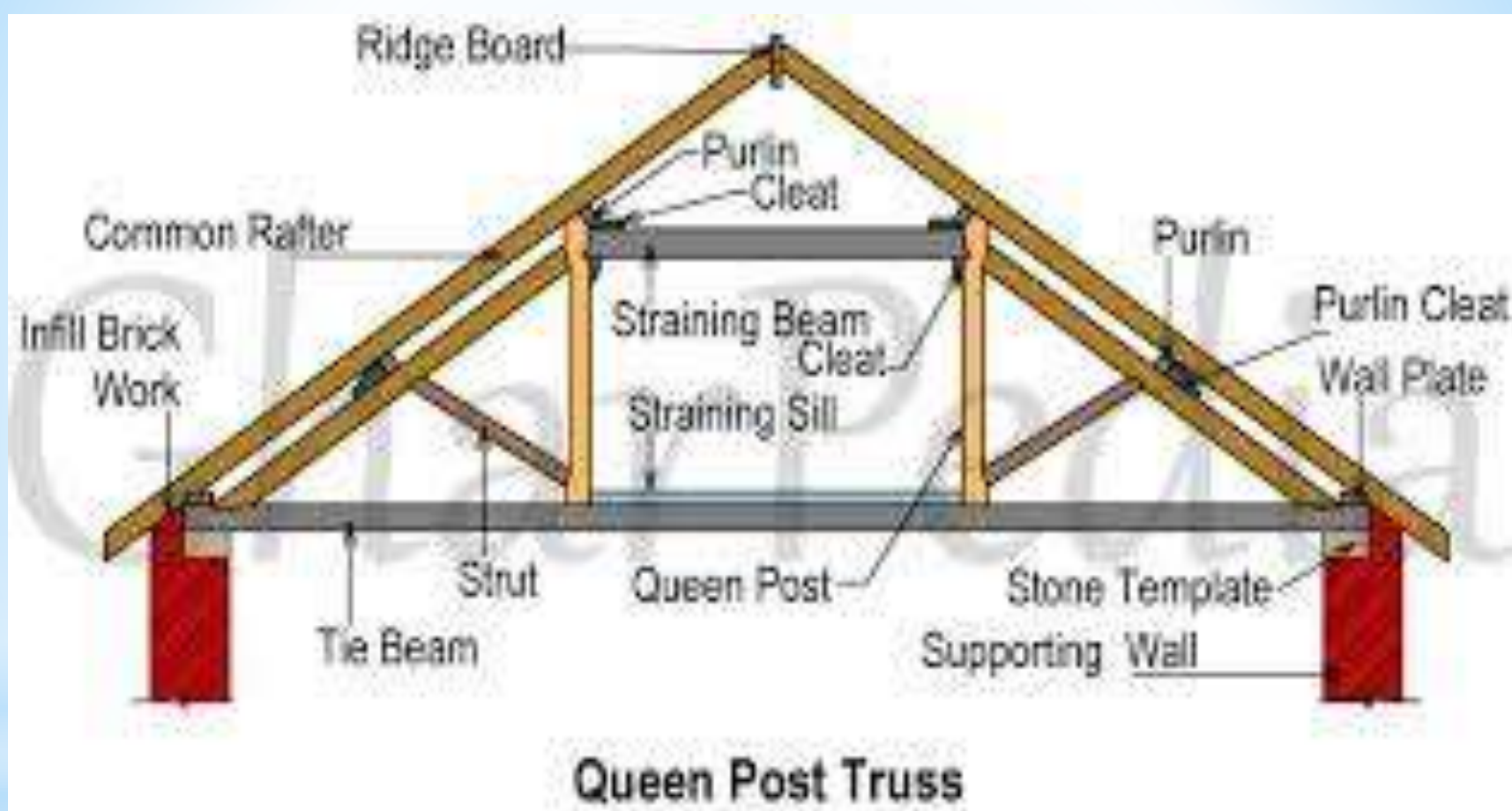


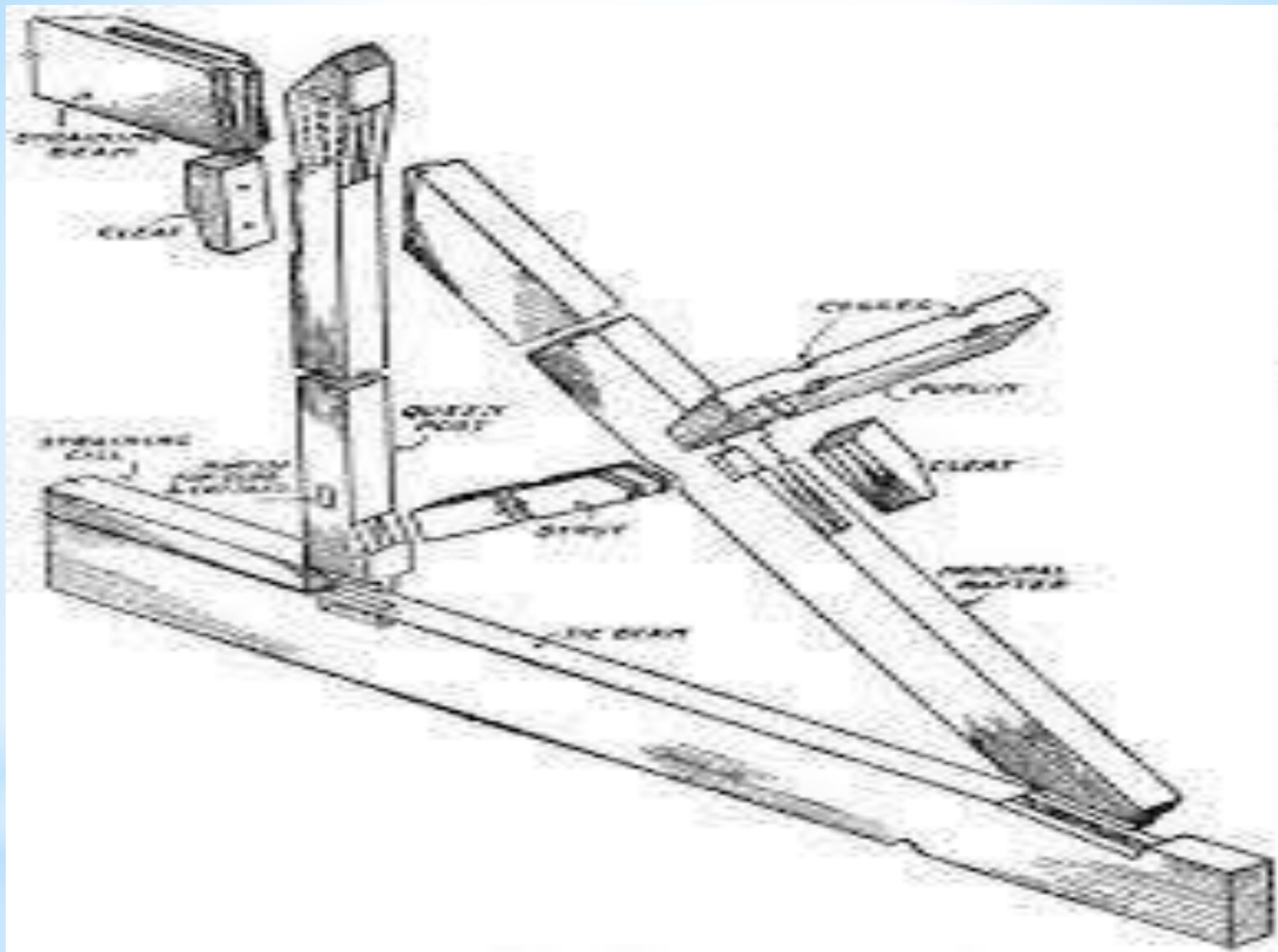




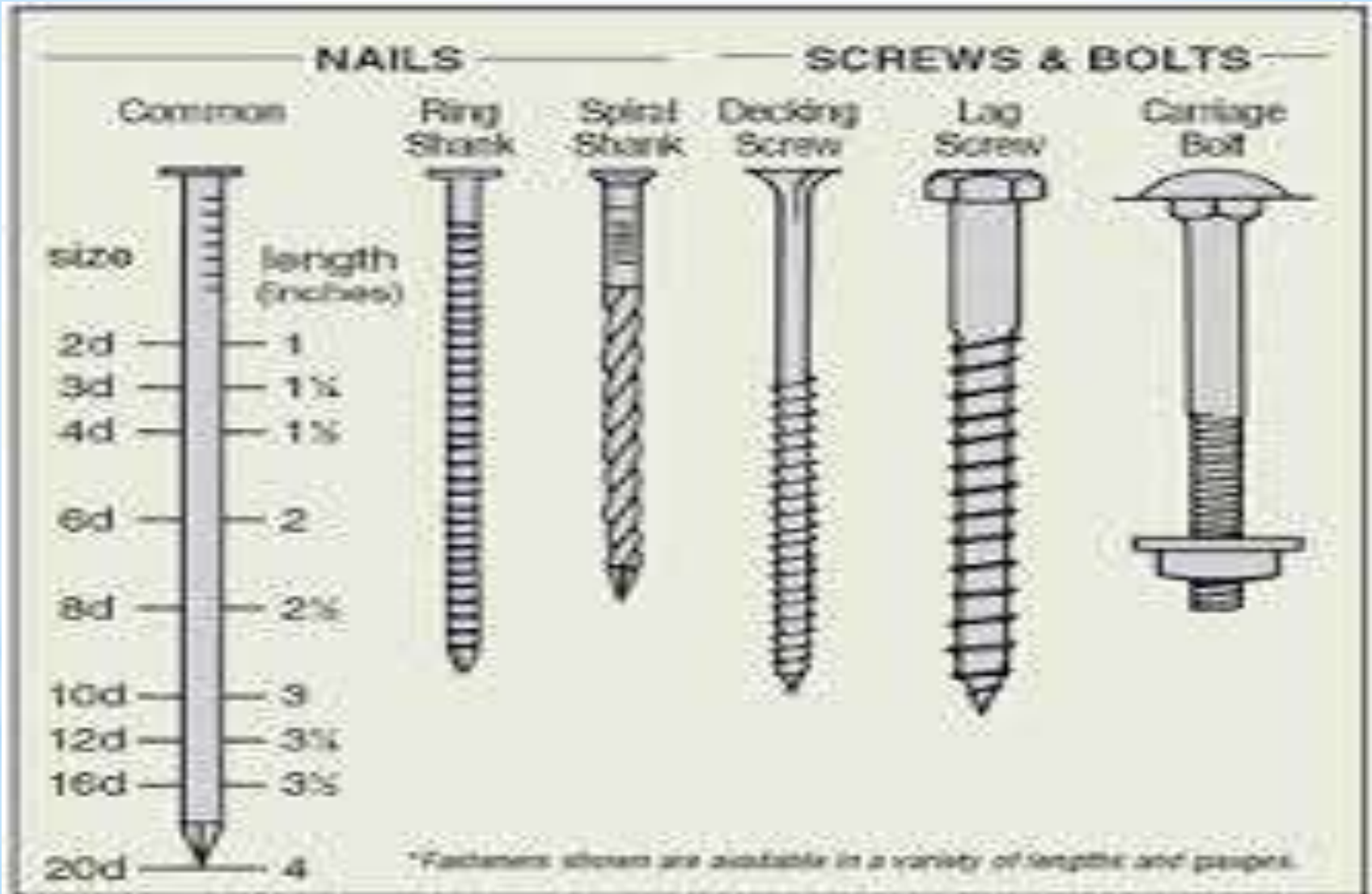
# BRIDLE JOINT







# FASTENING





# TOOLS



## Objective Question

1. Which joints are used for wooden flooring?

- A) Bearing joint
- B) Framing joint
- C) Widening joint
- D) Lengthening joint.

2. What is the purpose of angle joint?

- A) To frame a corner or angle
- B) To increase the ht.
- C) To Provide strength
- D) To widen the members.

3. Which joint is used for doors and windows?

- A) Angle joint
- B) Lengthening joint
- C) Side joint
- D) Framing joint

4. Which one is a bearing joint?

- A) Tabled joint
- B) Fishing joint
- C) Cogged joint
- D) Lapping joint.

5. Which one of the following is a lengthening joint?

- A) Butt joint
- B) Tongue and grooved joint
- C) Dovetail joint
- D) Lapped joint





V.B.SUJATHA .A.T.O. PHONE No. 9444387704  
Karthik.p.sujatha1996@gmail.com

Professional Thank You Images For Ppt

